

DOUBLE FLANGE BUTTERFLY VALVE (CONCENTRIC TYPE)

SPECIFICATION

FLANGED TO BS EN 1092-2 (BS4504) PN16 OR ANSI150#
FACE-TO-FACE DIMENSION TO BS 5155 / BS EN558-1 Sr. 20
LEVER / WORM GEAR OPERATOR

PRESSURE / TEMPERATURE RATINGS

Working Pressure	16 bar
Testing Pressure	Shell: 1.5 times Seat: 1.1 times
Working Temperature	-20°C to 110°C (EPDM Seat) -10°C to 80°C (NBR Seat)
Suitable Media	Water & Oil

MATERIALS

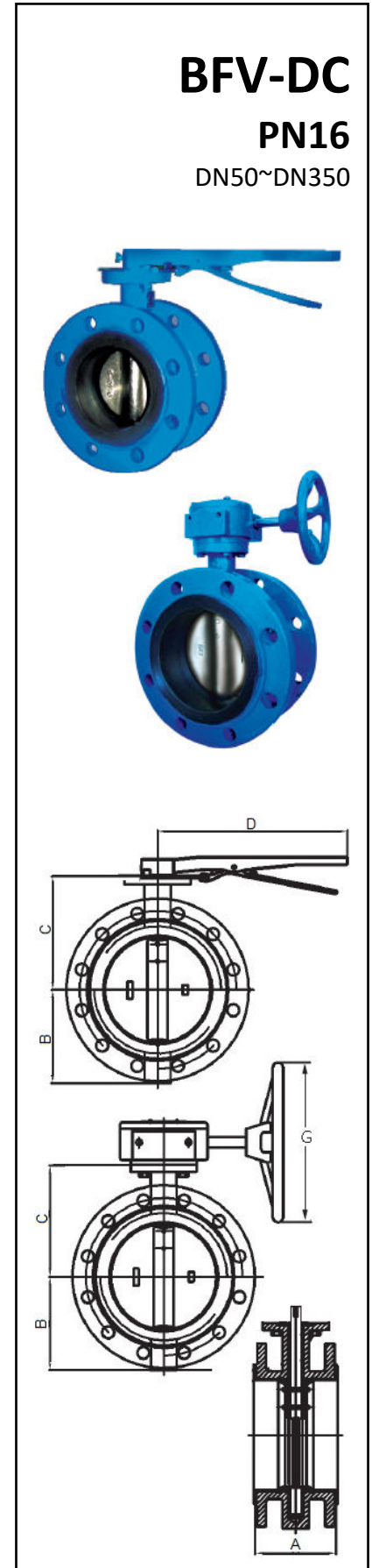
Part	Material	BS EN *
Body	Ductile Iron	1563 GJS-400-18
Disc	Ductile Iron Aluminium Bronze Stainless Steel 304 Stainless Steel 316	1563 GJS-400-18 1982-CC333G 10283 GX5CrNi19-10 10283 GX5CrNiMo19-11-2
Seat Ring	EPDM NBR	
Shaft	Stainless Steel 410	10088 X12Cr13
Taper Pins	Stainless Steel 304	10088 X5CrNi18-10
O-Ring	NBR	
Bushing	Resin	

*: Indicates the corresponding equivalent standard material for BS EN.

DIMENSIONS

Unit: mm

Size	A	B	C	D	G
50	108	69	126	215	150
65	112	72	136	215	150
80	114	88	146	215	150
100	127	96	158	235	150
125	140	115	179	260	150
150	140	151	210	260	150
200	152	161	230	355	300
250	165	199	271	355	300
300	178	215	305	355	300
350	190	261	353	-	300



DOUBLE FLANGE BUTTERFLY VALVE (CONCENTRIC TYPE)

SPECIFICATION

FLANGED TO BS EN 1092-2 (BS 4504) PN16 OR ANSI150#
FACE-TO-FACE DIMENSION TO BS 5155 / BS EN 558-1 Sr.20
DOUBLE-STAGE WORM GEAR OPERATOR

PRESSURE / TEMPERATURE RATINGS

Working Pressure	16 bar (DN400 ~ DN700) 10 bar (DN800 ~ DN1200)
Testing Pressure	Shell: 1.5 times Seat: 1.1 times
Working Temperature	-20°C to 110°C (EPDM Seat) -10°C to 80°C (NBR Seat)
Suitable Media	Water & Oil

DIMENSIONS

Unit: mm

Size	A	B	C	G
400	216	290	381	360
450	222	326	392	360
500	229	358	441	360
600	267	413	509	360
700	292	521	568	360
750	308	530	580	360
800	318	568	641	360
900	330	612	692	450
1000	410	665	735	450
1100	450	743	830	450
1200	470	792	917	570

Note:

1. Actuator mounting flange conforms to ISO 5211 drilling.
2. The butterfly valve can be supplied with electric actuator.
3. Micro switch / limit switch box are available upon request.
4. Gear operated with chain wheel are available upon request.
5. Design and specifications are subject to change without prior notice.

BFV-DC

PN16

DN400~DN700

PN10

DN800~DN1200

